

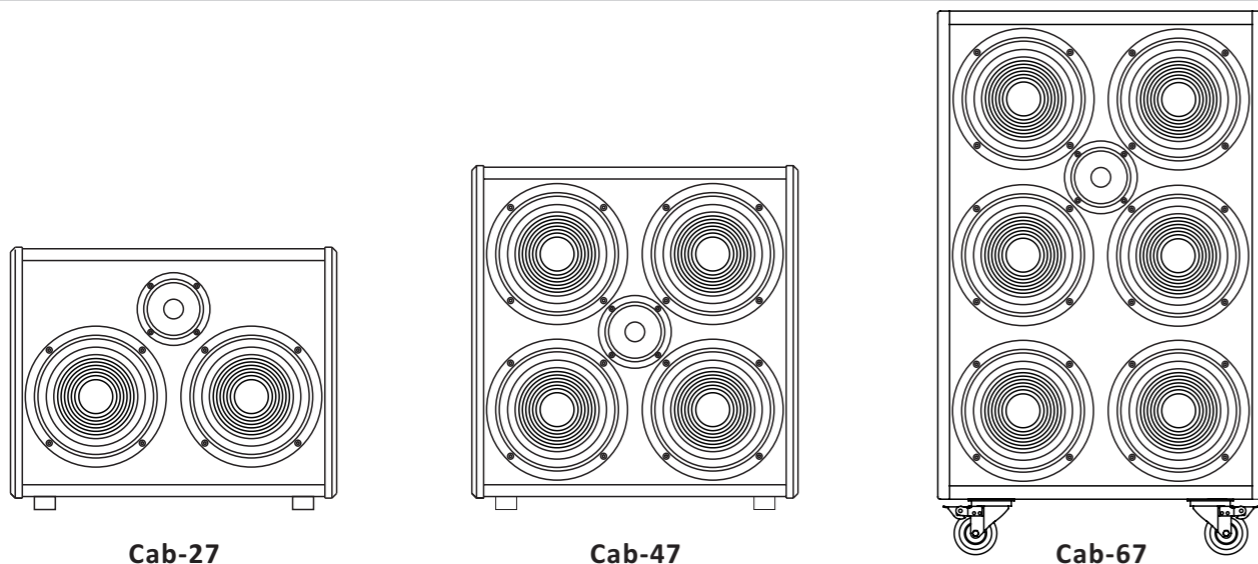


Thank you for purchasing PJB Speakers Cabinet. A great deal of dedication and passion went into designing and building this no-compromise, high performance loudspeaker system. These are dedicated loudspeakers for the "connoisseur" bassist. Reading this manual will enable you to get the best performance from them, and ensure that they give you many years of service.

Read This First

- Before using the cabinets, please read ALL the instructions.
- On receipt of product, check for any signs of physical damage arising from shipping. If any damage is visible contact your dealer as soon as possible.
- Never use this product in the vicinity of water.
- Never connect more than one amplifier to a speaker!
- Do not use speaker at maximum volume for an extended period of time.
- Do not locate this speaker near any heat source.
- Do not let liquid or any foreign objects fall into any openings of the speaker.
- Do not use this speaker if it has:
  1. Suffered by considerable physical damage.
  2. Been subjected to any liquids, rain or moisture.

Speaker Cabinet Specifications



Model	Speaker	Impedance	Frequency Ranges	Maximum Power Handling	Dimensions WxDxH	Weight
Cab-27	1x3" Tweeter 2x7" PJB Woofers	8Ω	30Hz~15kHz	200 W	16.3x12.6x13 inch 415x320x330 mm	29 Pounds 13.1 kg
Cab-47	1x3" Tweeter 4x7" PJB Woofers	8Ω	30Hz~15kHz	300 W	16.3x12.6x17 inch 415x320x430 mm	38.6 Pounds 17.5 kg
Cab-67	1x3" Tweeter 6x7" PJB Woofers	8Ω	30Hz~15kHz	500 W	16.3x12.6x27.2 inch 415x320x691 mm	54 Pounds 24.6kg

Connecting Up Your Speakers

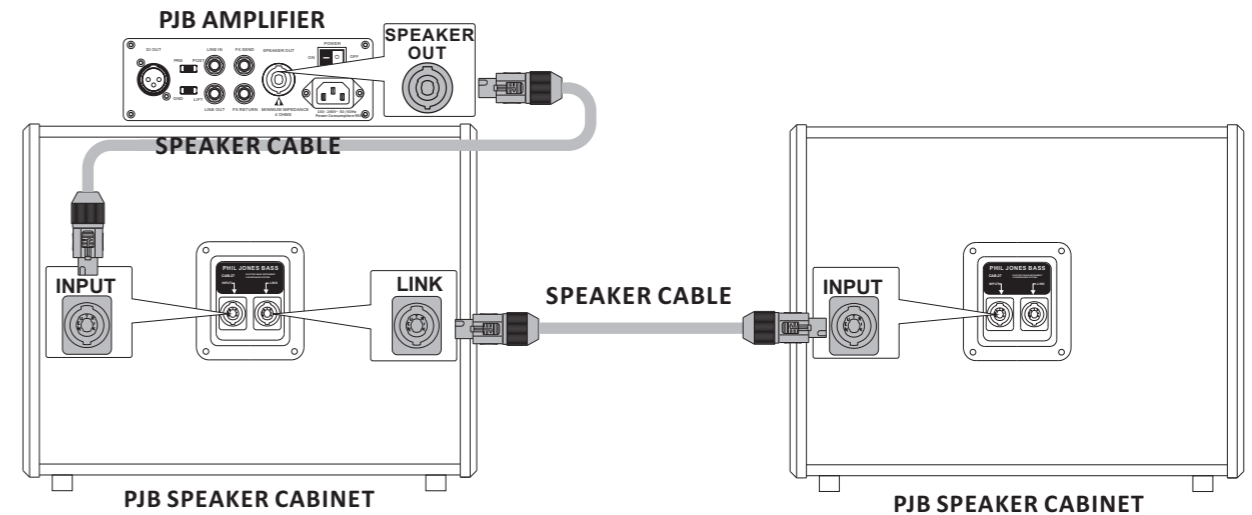
All PJB speakers feature genuine **Neutrik NL4MP SPEAKON**, airtight loudspeaker sockets featuring low resistance silver contacts. They have a current rating of 40 amps, making them the ideal bass instrument speaker connection. Using both the 2 positive and 2 negative connections in parallel results in each PJB speaker connection capable of handling peaks of up to 80 amps!

The two Speakons on the rear recess plate allow parallel-connected speakers to your amplifier. Just plug your amplifier into the input socket, and then connect your other speaker to the link out socket. If you are using two speakers connected to your amplifier, a better way is connecting each speaker directly to your amp's output-sockets. This will give a lower cable resistance, improving sound quality.

Ideally, you should use these cabinets with PJB amplifiers, because they are designed to work perfectly together. Before turning on power, connect your speakers to the amplifier. Keep the speaker cables as short as possible.



CONNECTS



CAUTION!

Take great care in stacking speaker cabinets. Make sure locked wheels or rubber feet are sitting correctly in the cabinet recesses. Taller configuration stacks will have higher center of gravity and therefore less stability. DO NOT try to move speakers and amps stacked on each other. A large loudspeaker enclosure falling could cause you or others serious injury. Take the greatest of care when transporting your rig. Speakers should be rolled on casters individually and not stacked. Do not take any unnecessary short cuts that you may regret!

Warranty Information

PJB speakers have a warranty period of 2 years, starting from the date of purchase. The buyer must complete and return the enclosed warranty card within 15 days of purchase.

Note: Warranty terms might differ in different countries. Please consult your local distributor for warranty terms in your country.

This warranty is provided to original owner, and covers defect in materials or workmanship that occurs in normal use. This warranty excludes damage that results from abuse, mis-use, accidents, shipping, or repairs or modifications by anyone other than authorized **PHIL JONES BASS** representatives. The warranty is void if serial number has been removed.

Should you need service on your speakers, please bring it to the dealer whom you purchased from along with sales slip. If the unit is purchased online, please contact your seller first.

Further questions, please contact PJB by email [info@philjonespuresound.com](mailto:info@philjonespuresound.com).

PHIL JONES BASS

American Acoustic Development LLC  
8509 Mid County Industrial Dr.  
St Louis, MO 63114  
USA  
Tel: 855-227-7510 (855-BASS-510)  
[www.pjbworld.com](http://www.pjbworld.com)  
[support@philjonespuresound.com](mailto:support@philjonespuresound.com)

For servicing outside USA please contact our distributor in your country. Information can be found on our website.